

N-Channel Enhancement Mode MOSFET

1. Product Information

1.1 Features

- Advanced trench cell design
- Low Thermal Resistance

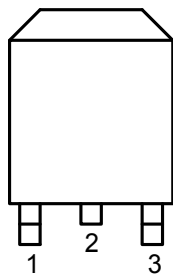
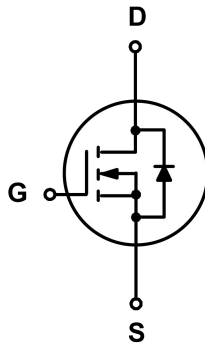
1.2 Applications

- Motor drivers
- DC - DC Converter

1.3 Quick reference

- $BV \geq 40\text{ V}$
- $R_{DS(ON)} \leq 2.2\text{ m}\Omega @ V_{GS} = 10\text{ V}$
- $P_{tot} \leq 166\text{ W}$
- $R_{DS(ON)} \leq 3.3\text{ m}\Omega @ V_{GS} = 4.5\text{ V}$
- $I_D \leq 200\text{ A}$

2. Pin Description

Pin	Description	Simplified Outline	Symbol
1	Gate(G)	 <p>Top View TO-263</p>	
4	Drain(D)		
3	Source(S)		

3. Limiting Values

Symbol	Parameter	Conditions	Min	Max	Unit
V_{DS}	Drain-Source Voltage	$T_C = 25\text{ }^\circ\text{C}$	40	-	V
V_{GS}	Gate-Source Voltage	$T_C = 25\text{ }^\circ\text{C}$	-	± 20	V
$I_D^{*,**}$	Drain Current	$T_C = 25\text{ }^\circ\text{C}, V_{GS} = 10\text{ V}$	-	200	A
$I_{DM}^{*,**,***}$	Pulsed Source Current	$T_C = 25\text{ }^\circ\text{C}, V_{GS} = 10\text{ V}$	-	280	A
P_{tot}^*	Total Power Dissipation	$T_C = 25\text{ }^\circ\text{C}$	-	166	W
T_{stg}	Storage Temperature		-55	150	$^\circ\text{C}$
T_J	Junction Temperature		-	150	$^\circ\text{C}$
I_S	Diode Forward Current	$T_C = 25\text{ }^\circ\text{C}$	-	200	A
$R_{\theta JA}^*$	Thermal Resistance- Junction to Ambient		-	62.5	$^\circ\text{C} / \text{W}$
$R_{\theta JC}^*$	Thermal Resistance- Junction to Case		-	0.75	

Notes :

- * Surface Mounted on 1 in² pad area, $t \leq 10\text{ sec}$
- ** Pulse width $\leq 10\text{ }\mu\text{s}$, duty cycle $\leq 1\%$
- *** Limited by bonding wire

4. Marking Information

Product Name	Marking
KJ200N04D	<div style="display: inline-block; background-color: black; color: white; padding: 2px;">200N04 YWWXXX</div> YWWXXX: Date Code

5. Ordering Code

Product Name	Package	Reel Size	Tape width	Quantity	Note
KJ200N04D	TO263			800	

Note: KUAJIEXIN defines “ Green ” as lead-free (RoHS compliant) and halogen free (Br or Cl does not exceed 900 ppm by weight in homogeneous material and total of Br and Cl does not exceed 1500 ppm by weight; Follow IEC 61249-2-21 and IPC / JEDEC J-STD-020C)

6. Electrical Characteristics ($T_A = 25\text{ }^\circ\text{C}$ Unless Otherwise Noted)

Symbol	Parameter	Conditions	Min	Typ	Max	Unit
Static Characteristics						
BV_{DSS}	Drain-Source Breakdown Voltage	$V_{GS} = 0\text{ V}, I_D = 250\text{ }\mu\text{A}$	40	-	-	V
$V_{GS(th)}$	Gate Threshold Voltage	$V_{DS} = V_{GS}, I_{DS} = 250\text{ }\mu\text{A}$	1.5	2.0	2.5	V
I_{DSS}	Zero Gate Voltage Source Current	$V_{DS} = 32\text{ V}, V_{GS} = 0\text{ V}$	-	-	1	μA
		$T_J = 85\text{ }^\circ\text{C}$	-	-	30	μA
I_{GSS}	Gate Leakage Current	$V_{GS} = \pm 20\text{ V}, V_{DS} = 0\text{ V}$	-	-	± 100	nA
$R_{DS(ON)}^a$	Drain-Source On-State Resistance	$V_{GS} = 10\text{ V}, I_D = 20\text{ A}$	-	2	2.2	m Ω
		$V_{GS} = 4.5\text{ V}, I_D = 10\text{ A}$	-	3	3.3	
Diode Characteristics						
V_{SD}^a	Diode Forward Voltage	$I_{SD} = 20\text{ A}, V_{GS} = 0\text{ V}$	-	0.7	1.3	V
t_{rr}	Reverse Recovery Time	$I_{SD} = 20\text{ A}, dI_{SD}/dt = 100\text{ A}/\mu\text{s}$	-	42	-	ns
Q_{rr}	Reverse Recovery Charge		-	39	-	nC
Dynamic Characteristics^b						
C_{iss}	Input Capacitance	$V_{GS} = 0\text{ V}, V_{DS} = 20\text{ V}$ Frequency = 1 MHz	-	10861	-	pF
C_{oss}	Output Capacitance		-	757	-	
C_{rss}	Reverse Transfer Capacitance		-	165	-	
$t_d(on)$	Turn-on Delay Time	$V_{DS} = 20\text{ V}, V_{GEN} = 10\text{ V},$ $R_G = 4.5\text{ }\Omega, R_L = 1\text{ }\Omega,$ $I_D = 20\text{ A}$	-	32	-	ns
t_r	Turn-on Rise Time		-	73	-	
$t_d(off)$	Turn-off Delay Time		-	119	-	
t_f	Turn-off Fall Time		-	84	-	
Gate Charge Characteristics^b						
Q_g	Total Gate Charge	$V_{GS} = 10\text{ V}, V_{DS} = 20\text{ V},$ $I_{DS} = 20\text{ A}$	-	163	-	nC
Q_{gs}	Gate-Source Charge		-	48.2	-	
Q_{gd}	Gate-Drain Charge		-	25.6	-	

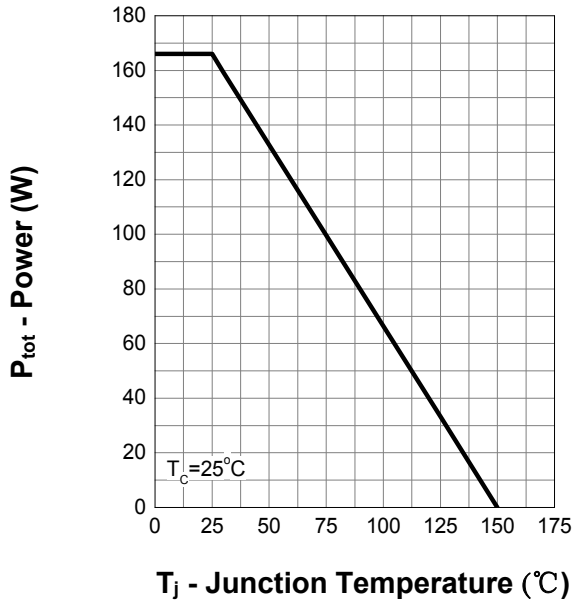
Notes :

 a : Pulse test ; pulse width $\leq 300\text{ }\mu\text{s}$, duty cycle $\leq 2\%$

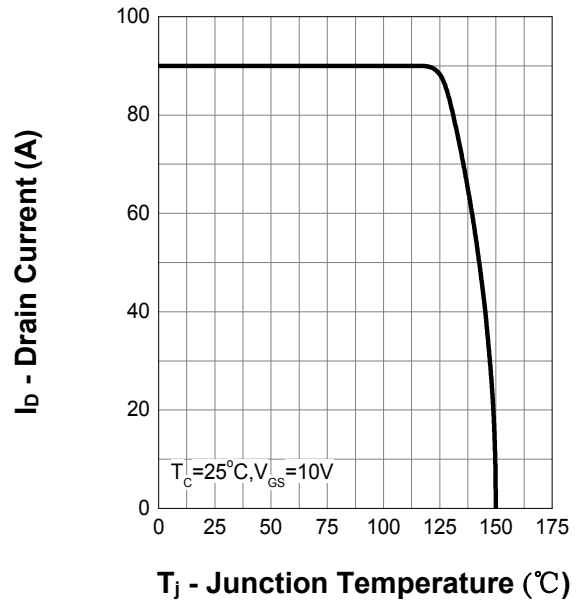
b : Guaranteed by design, not subject to production testing

7. Typical Characteristics

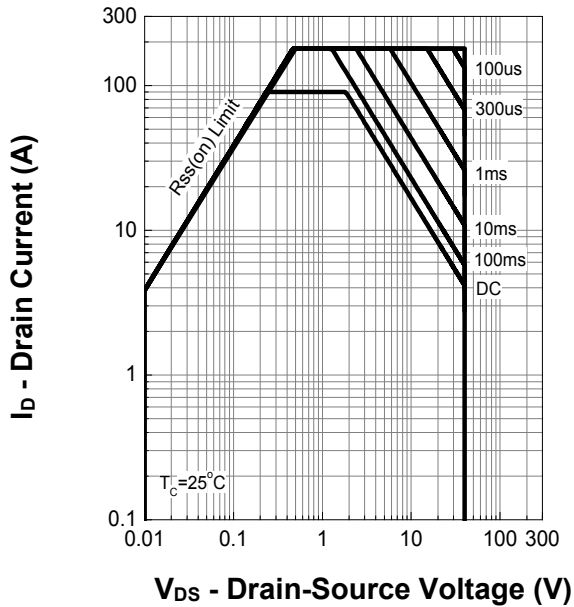
Power Capability



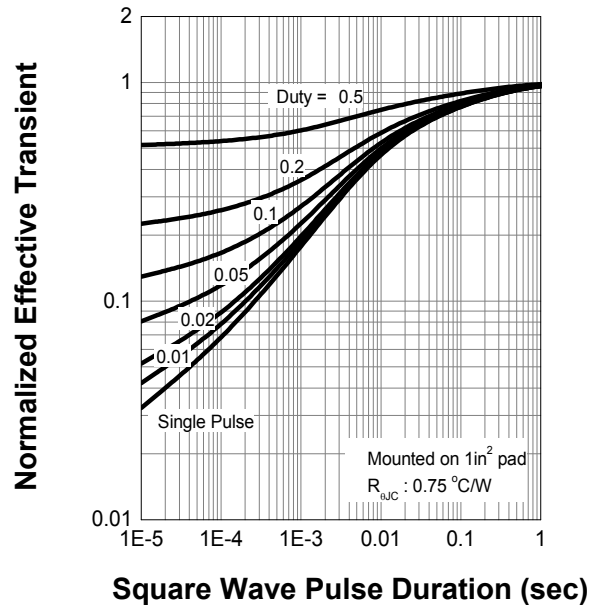
Current Capability



Safe Operation Area

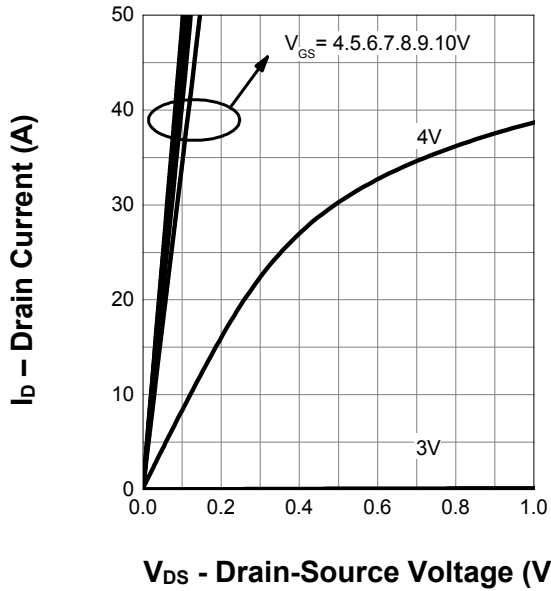


Thermal Transient Impedance

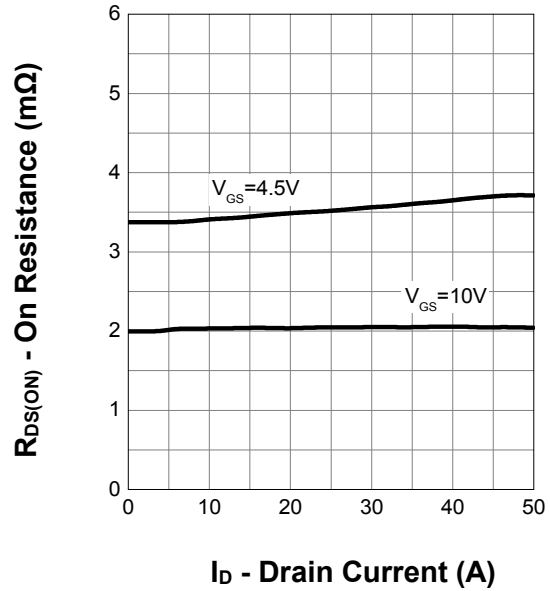


7. Typical Characteristics (cont.)

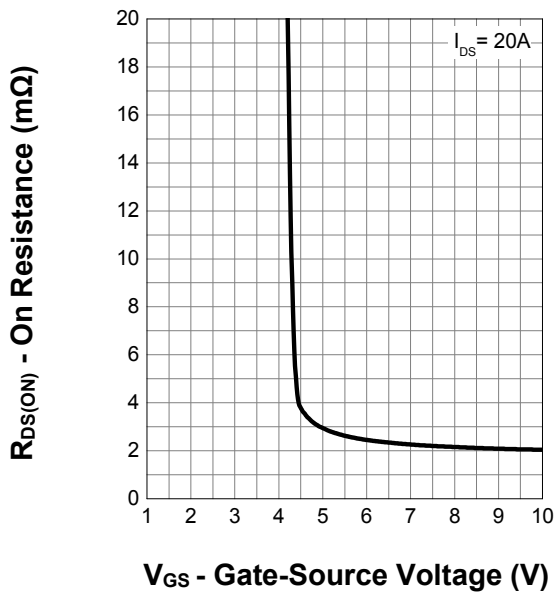
Output Characteristics



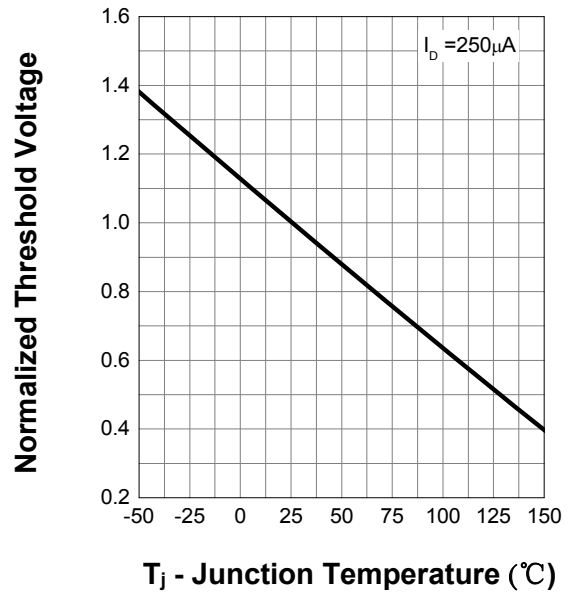
Drain-Source On Resistance



Transfer Characteristics

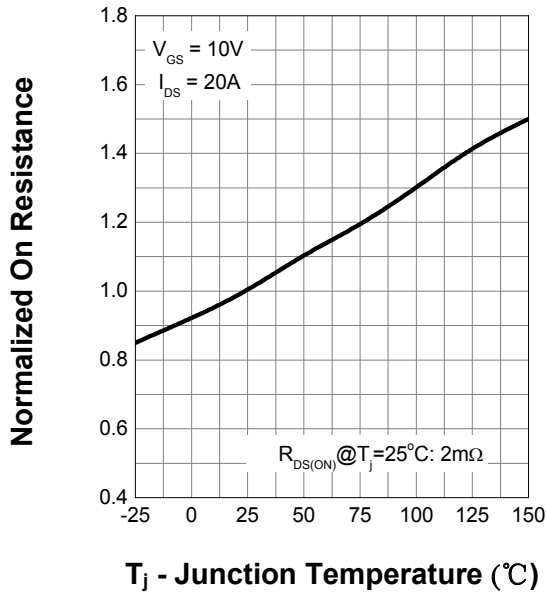


Gate Threshold Voltage

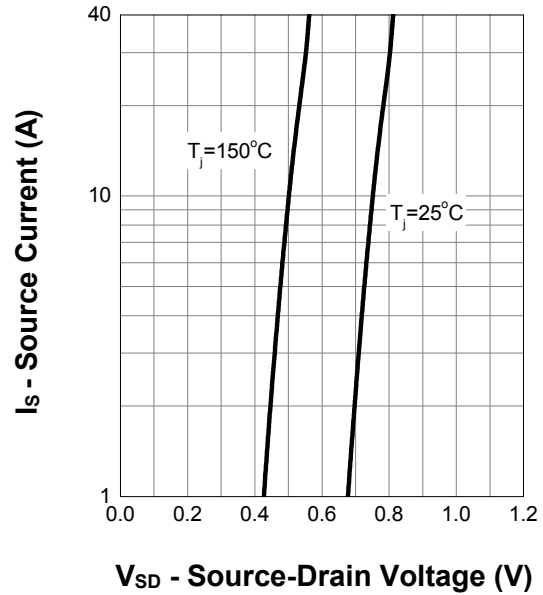


7. Typical Characteristics (cont.)

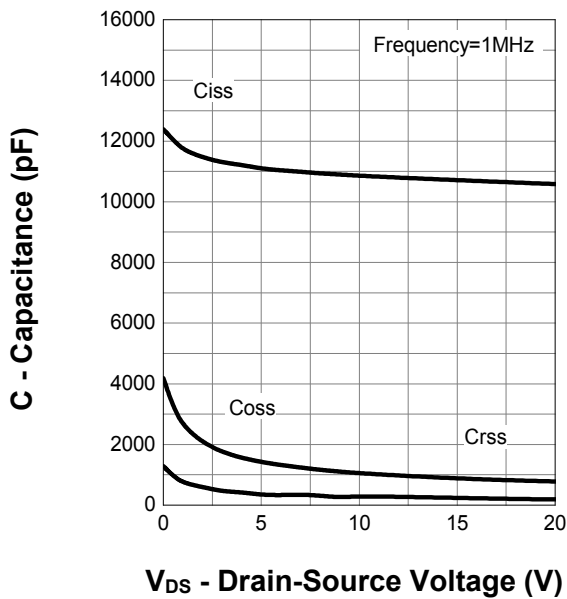
Drain-Source On Resistance



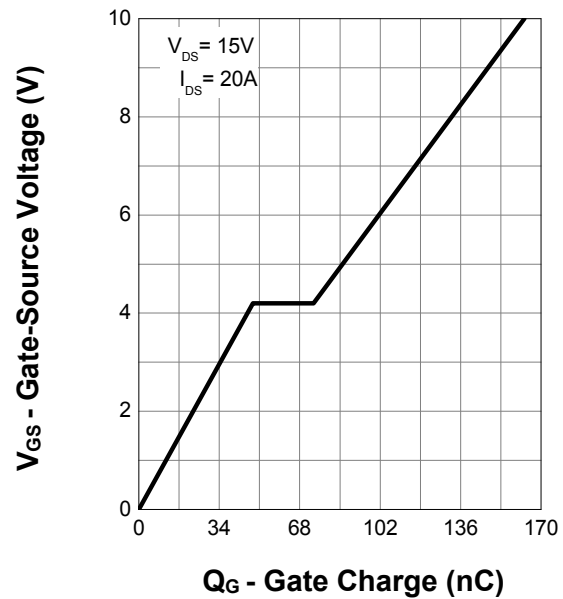
Body Diode Characteristics



Capacitance

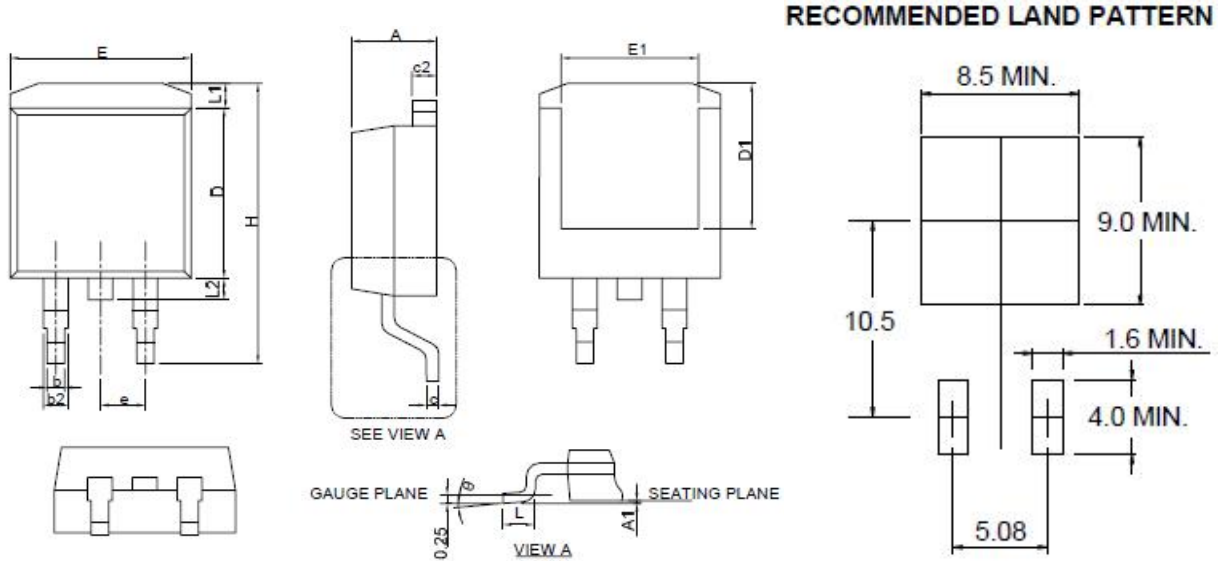


Gate Charge



8.Package Dimensions

TO263-3L



Symbol	Dimensions In Millimeters	
	MIN.	MAX.
A	4.06	4.83
A1	0.00	0.25
b	0.51	0.99
b2	1.14	1.78
c	0.38	0.74
c2	1.14	1.65
D	8.38	9.65
D1	6.00	9.00
E	9.65	11.43
E1	6.22	9.00
e	2.54 BCS	
H	14.61	15.88
L	1.78	2.79
L1	-	1.68
L2	-	1.78
θ	0°	8°