

N-Channel Enhancement Mode MOSFET

1. Product Information

1.1 Features

- Advanced trench cell design
- Super Trench
- Tj max 175°C
- Low Thermal Resistance

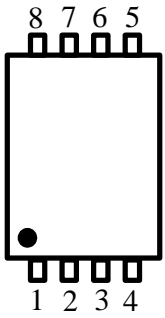
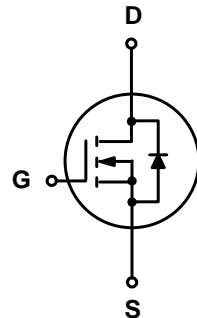
1.2 Applications

- Motor drivers
- DC - DC Converter

1.3 Quick reference

- BV \geq 30 V
- P_{tot} \leq 35 W
- I_D \leq 123 A
- R_{DS(ON)} \leq 1.5 mΩ @ V_{GS} = 10 V
- R_{DS(ON)} \leq 2.5 mΩ @ V_{GS} = 4.5 V

2. Pin Description

Pin	Description	Simplified Outline	Symbol
1,2,3	Source	 <p style="text-align: center;">Top View DFN5x6-8L</p>	
4	Gate		
5,6,7,8	Drain		

3. Limiting Values

Symbol	Parameter	Conditions	Min	Max	Unit
V_{DS}	Drain-Source Voltage	$T_C = 25\text{ }^\circ\text{C}$	30	-	V
V_{GS}	Gate-Source Voltage	$T_C = 25\text{ }^\circ\text{C}$	-	± 20	V
I_D^*	Drain Current (DC)	$T_C = 25\text{ }^\circ\text{C}, V_{GS} = 10\text{ V}$	-	123	A
		$T_C = 100\text{ }^\circ\text{C}, V_{GS} = 10\text{ V}$	-	78	A
I_{DM}^{***}	Drain Current (Pulsed)	$T_C = 25\text{ }^\circ\text{C}, V_{GS} = 10\text{ V}$	-	492	A
P_{tot}^*	Total Power Dissipation	$T_C = 25\text{ }^\circ\text{C}$	-	35	W
T_{stg}	Storage Temperature		- 55	150	$^\circ\text{C}$
T_J	Junction Temperature		-	150	$^\circ\text{C}$
I_S	Diode Forward Current	$T_C = 25\text{ }^\circ\text{C}$	-	123	A
E_{AS}^*	Single Pulsed Avalanche Energy	$V_{DD} = 30\text{ V}, L = 1.0\text{ mH}$	-	359	mJ
$R_{\theta JA}^*$	Thermal Resistance- Junction to Ambient		-	62.5	$^\circ\text{C} / \text{W}$
$R_{\theta JC}^*$	Thermal Resistance- Junction to Case		-	3.5	

Notes :

- * Surface Mounted on 1 in² pad area, $t \leq 10\text{ sec}$
- ** Pulse width $\leq 300\text{ }\mu\text{s}$, duty cycle $\leq 2\%$
- *** limited by bonding wire

4. Marking Information

Product Name	Marking
KJ1R7N03G	<div style="display: inline-block; background-color: black; color: white; padding: 2px;">1R7N03</div> <div style="display: inline-block; background-color: black; color: white; padding: 2px;">YWWXXX</div> <div style="display: inline-block; vertical-align: middle;">YWWXXX: Date Code</div>

5. Ordering Code

Product Name	Package	Reel Size	Tape width	Quantity	Note
KJ1R7N03G	PDFN5*6			5000	

Note: KUAIJIEXIN defines " Green " as lead-free (RoHS compliant) and halogen free (Br or Cl does not exceed 900 ppm by weight in homogeneous material and total of Br and Cl does not exceed 1500 ppm by weight; Follow IEC 61249-2-21 and IPC / JEDEC J-STD-020C)

6. Electrical Characteristics (T_A = 25 °C Unless Otherwise Noted)

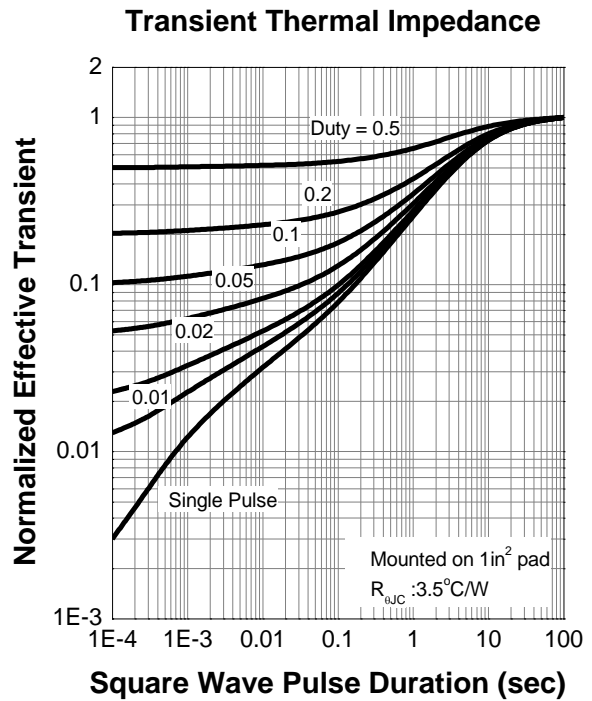
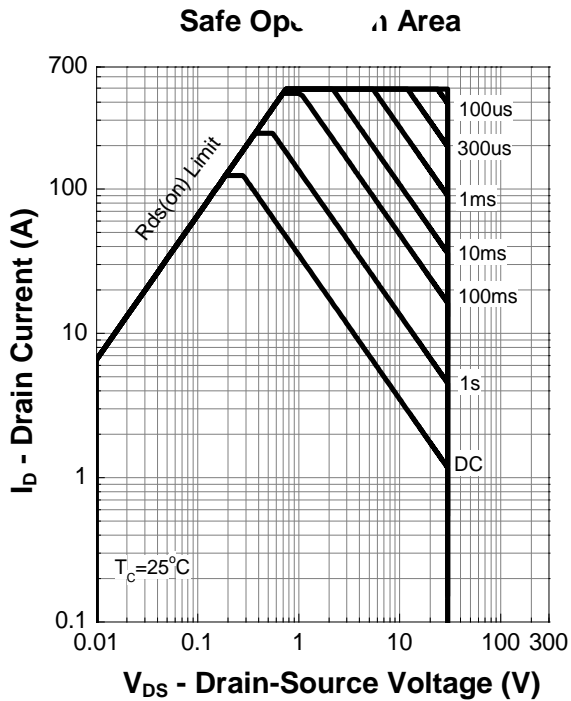
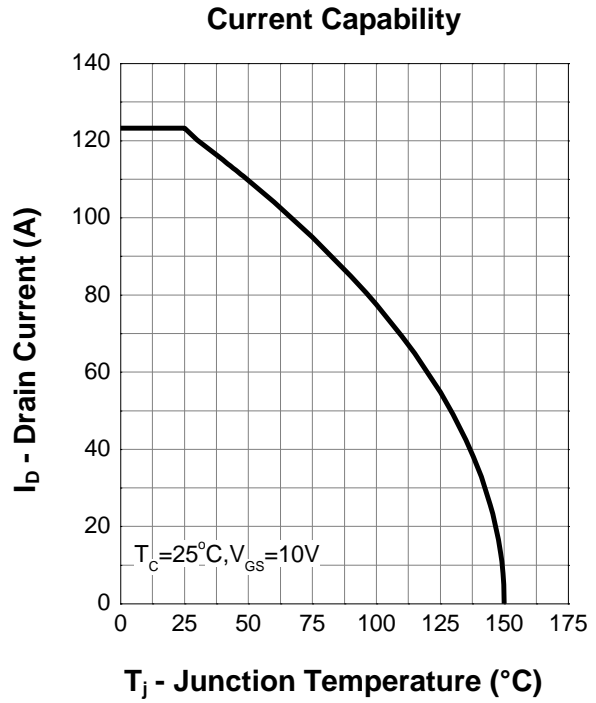
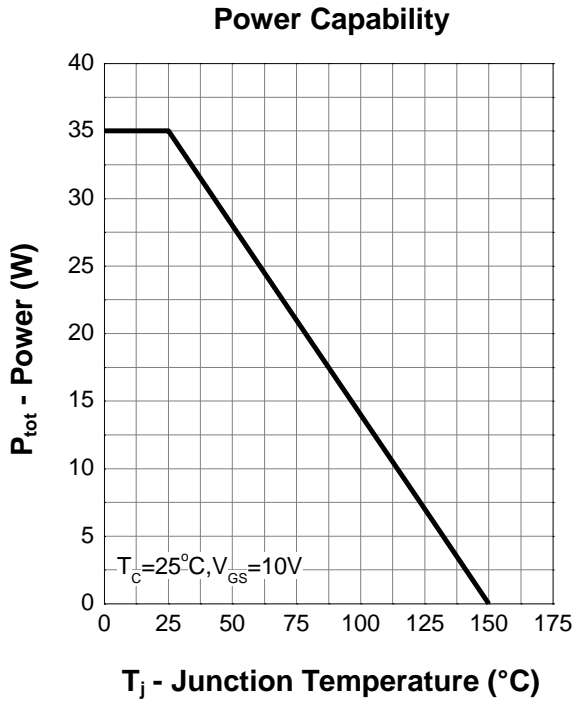
Symbol	Parameter	Conditions	Min	Typ	Max	Unit
Static Characteristics						
BV _{DSS}	Drain-Source Breakdown Voltage	V _{GS} = 0 V, I _D = 250 μA	30	-	-	V
V _{GS(th)}	Gate Threshold Voltage	V _{DS} = V _{GS} , I _{DS} = 250 μA	1	-	2	V
I _{DSS}	Zero Gate Voltage Source Current	V _{DS} = 24 V, V _{GS} = 0 V	-	-	1	μA
I _{GSS}	Gate Leakage Current	V _{GS} = ± 20 V, V _{DS} = 0 V	-	-	± 100	nA
R _{DS(ON)} ^a	Drain-Source On-State Resistance	V _{GS} = 10 V, I _D = 30 A	-	1.27	1.5	mΩ
		V _{GS} = 4.5 V, I _D = 20 A	-	2.02	2.5	
Diode Characteristics						
V _{SD} ^a	Diode Forward Voltage	I _{SD} = 30 A, V _{GS} = 0 V	-	-	1.3	V
t _{rr}	Reverse Recovery Time	I _{SD} = 30 A, dI _{SD} /dt = 100 A/μs	-	38	-	nS
Q _{rr}	Reverse Recovery Charge		-	27	-	nC
Dynamic Characteristics^b						
C _{iss}	Input Capacitance	V _{GS} = 0 V, V _{DS} = 15 V Frequency = 1 MHz	-	2729	-	pF
C _{oss}	Output Capacitance		-	1057	-	
C _{rss}	Reverse Transfer Capacitance		-	171	-	
t _{d(on)}	Turn-on Delay Time	V _{DS} = 15 V, V _{GEN} = 10 V, R _G = 3.9 Ω, R _L = 0.5 Ω, I _{DS} = 30 A	-	9.5	-	nS
t _r	Turn-on Rise Time		-	83	-	
t _{d(off)}	Turn-off Delay Time		-	51	-	
t _f	Turn-off Fall Time		-	41	-	
Gate Charge Characteristics^b						
Q _g	Total Gate Charge	V _{DS} = 15 V, V _{GS} = 10 V, I _{DS} = 30 A	-	51	-	nC
Q _{gs}	Gate-Source Charge		-	9.8	-	
Q _{gd}	Gate-Drain Charge		-	9.2	-	

Notes :

a : Pulse test ; pulse width ≤ 300 μs, duty cycle ≤ 2 %

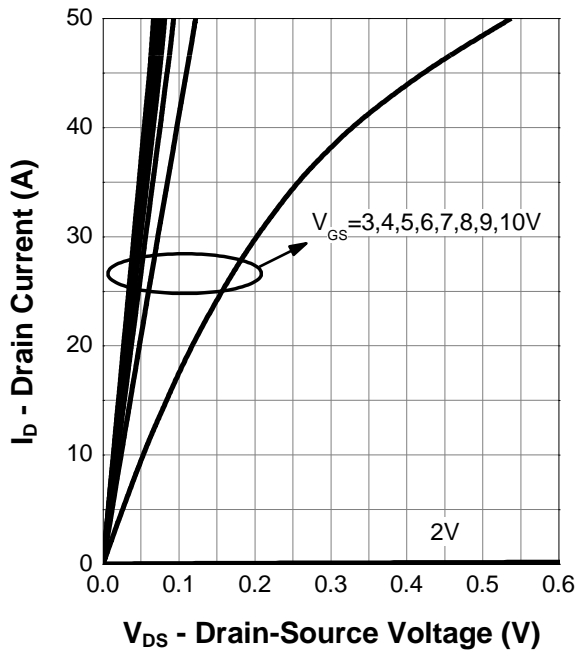
b : Guaranteed by design, not subject to production testing

7. Typical Characteristics (Cont.)

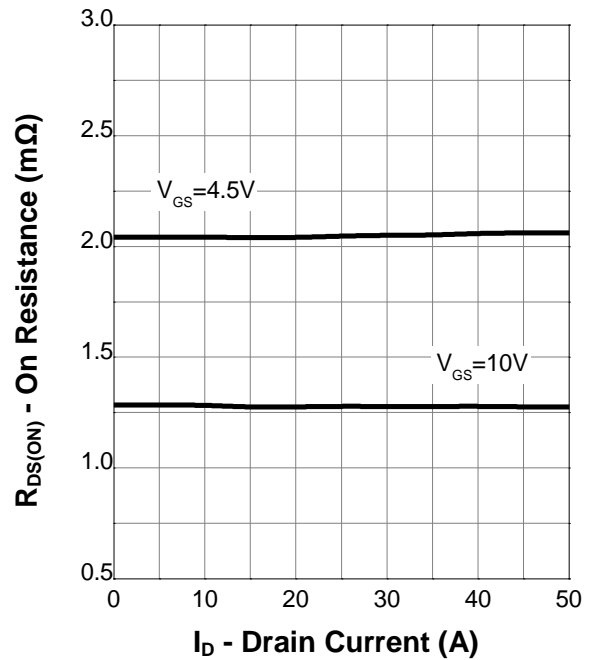


7. Typical Characteristics (Cont.)

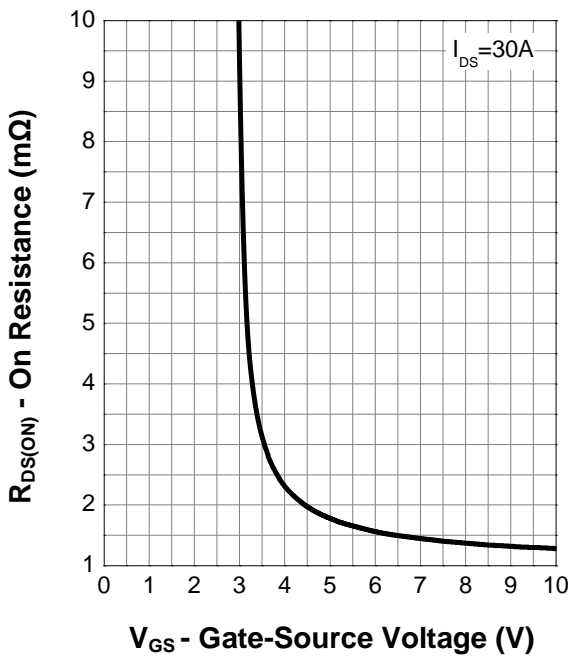
Output Characteristics



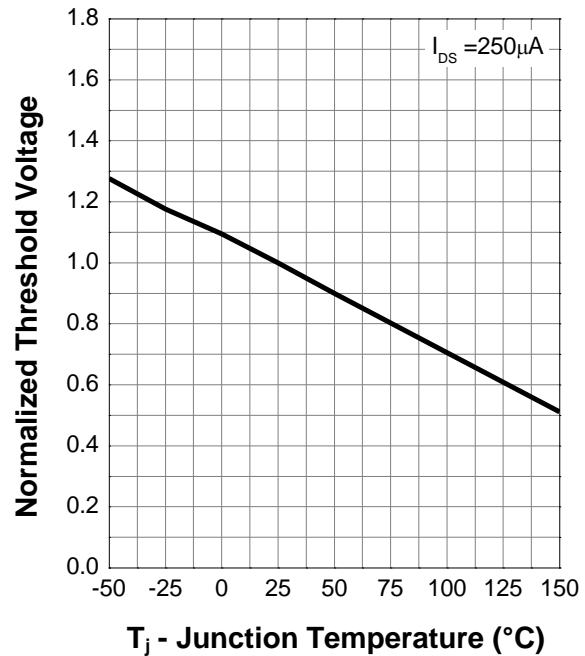
On Resistance



Transfer Characteristics

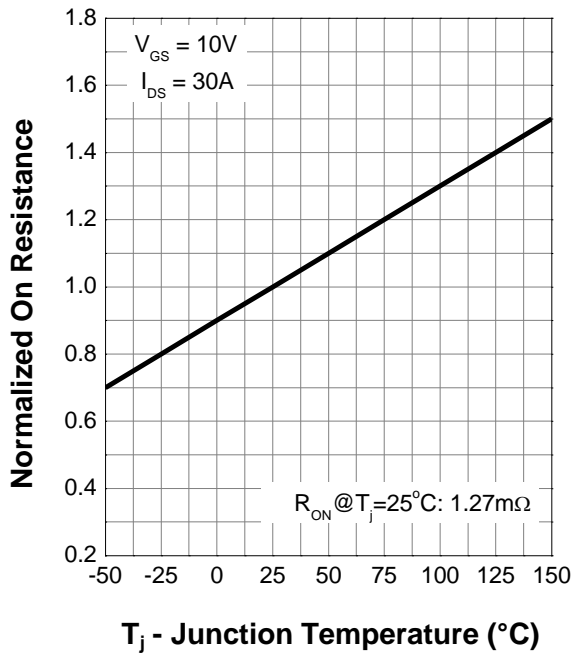


Normalized Threshold Voltage

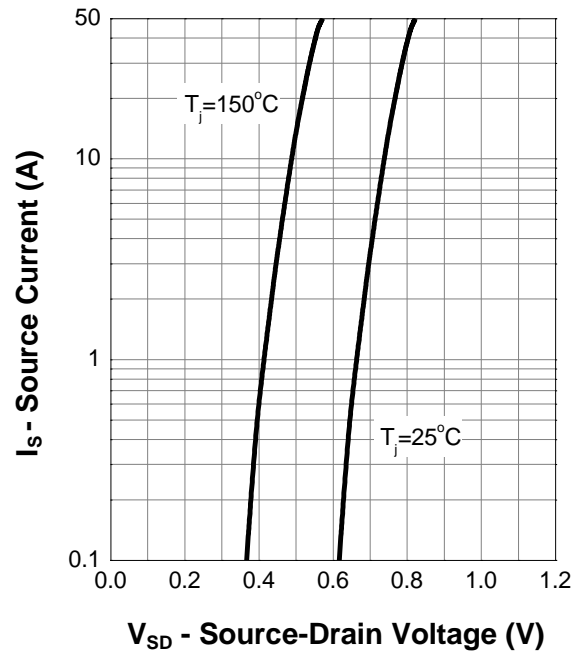


7. Typical Characteristics (Cont.)

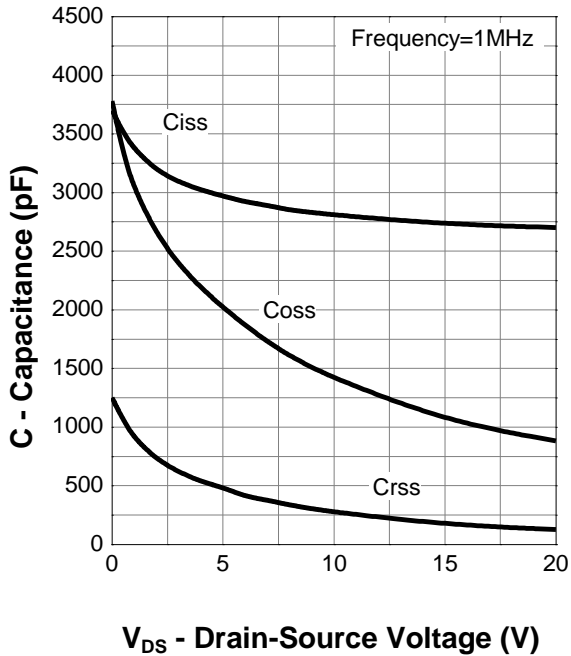
Normalized On Resistance



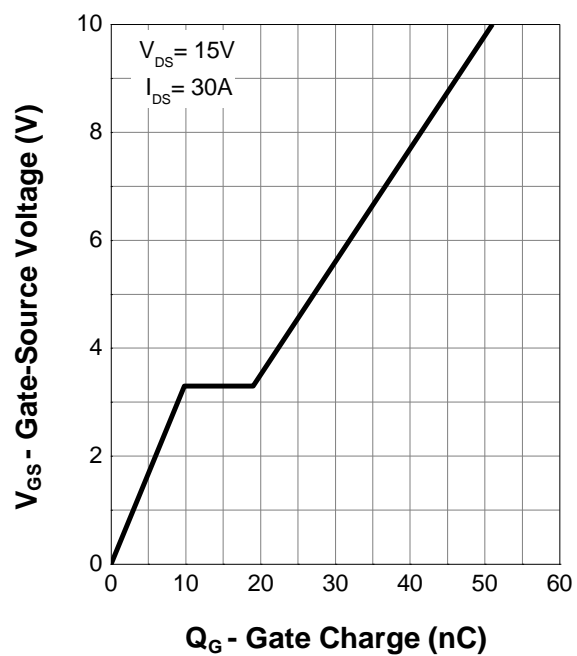
Diode Forward Current



Capacitance

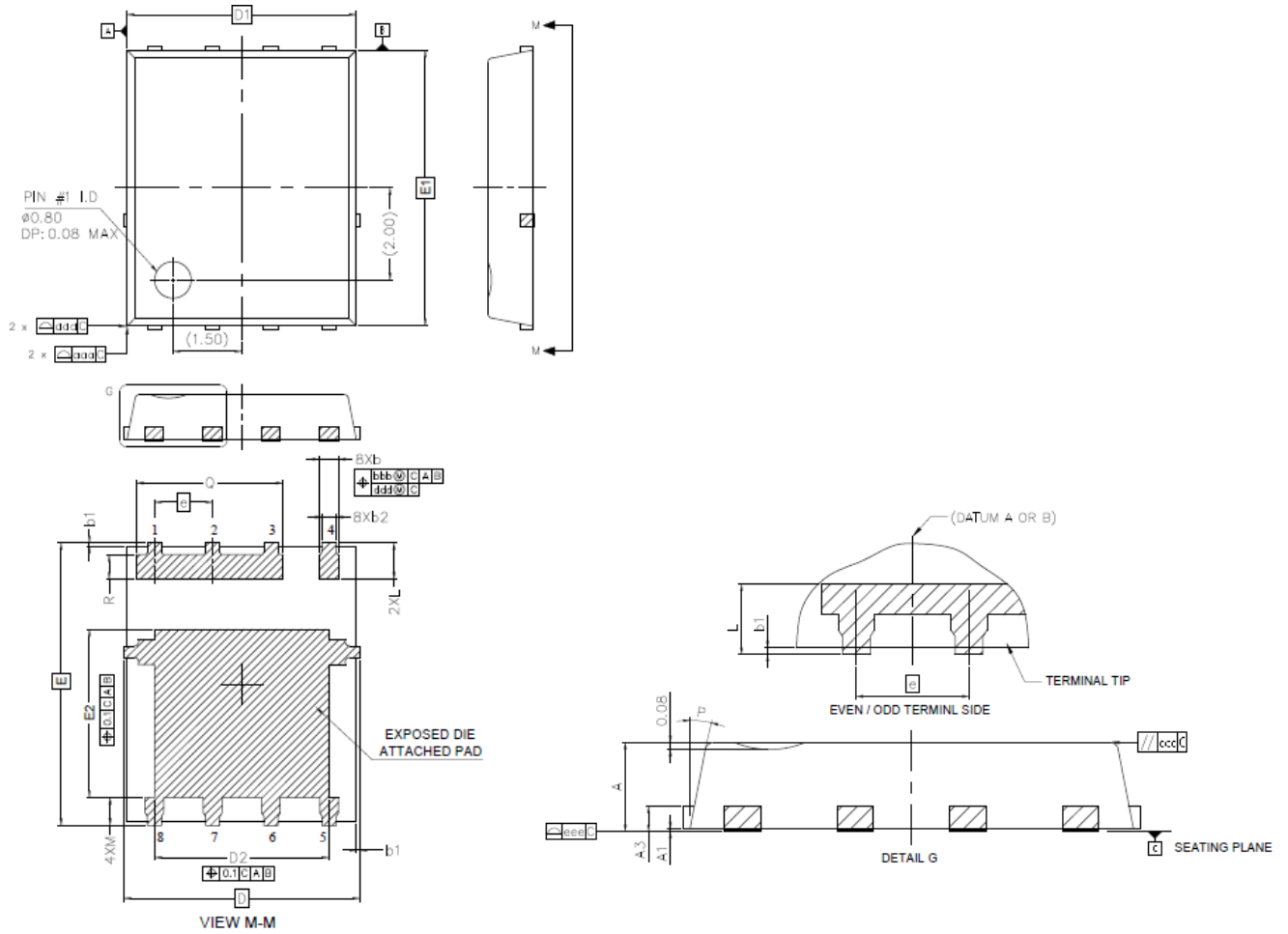


Gate Charge



8. Package Dimensions

PDFN5x6 - 8L Package



8. Package Dimensions

PDFN5x6 - 8L Package

Symbol	Dimensions In Millimeters	
	MIN.	MAX.
A	0.95	1.05
A1	0.00	0.05
A3	0.25 REF	
b	0.36	0.46
b1	0.03	0.13
b2	0.26	0.36
D	5.15 BSC	
D1	5.00 BSC	
D2	3.70	3.90
E	6.15 BSC	
E1	6.00 BSC	
E2	3.56	3.76
e	1.27 BSC	
L	0.74	0.84
M	0.55	0.66
P	10°	12°
Q	3.15	3.25
R	0.48	0.58
aaa	0.10	
bbb	0.10	
ccc	0.10	
ddd	0.05	
eee	0.08	